

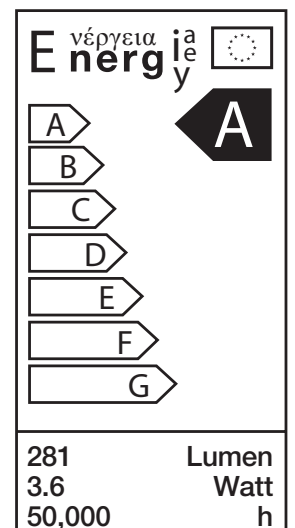
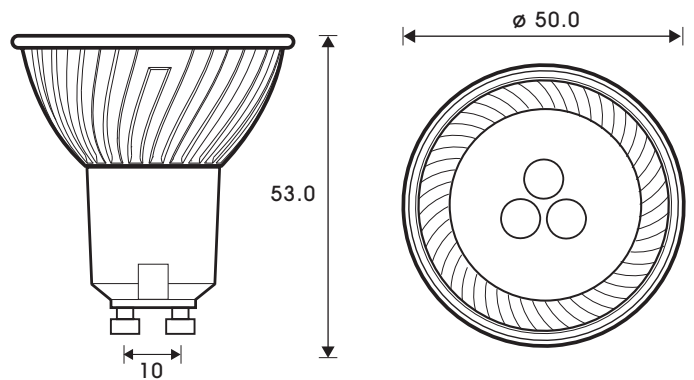
Technical Specifications

4W GU10 Wide Flood HyperBright™ LED XG4WW-F

EXERGI®

GENERAL INFORMATION

	XG4WW-E
Cap Type	GU10
Wattage	3.6W
Voltage	220-240V
Eq. Wattage	45-50W
Colour	Warm White
Colour Temperature (°K)	2700-3500°K
Lifetime	50,000h
EU Energy Efficiency Rating	A
LED Type	3 x CREE
Luminous Flux	281 lm ± 10%
Luminous Intensity	590 cd ± 10%
Lumen Maintenance Factor @ 25,000hrs	> 70%
Colour Rendering Index	80
Lumen Watts/Meter	52 lm/W/m ± 10%
Beam Angle	36°
Diameter	50mm
Length	53mm
CE Approved	Yes
RoHS Compliant	Yes
Mercury	No
Dimmable	No
Usage	Indoors
Guarantee	1 Year



www.exergi.co.uk

EXERGI LIMITED, Mulberry House, Foxpond Lane, Oadby, Leicester, LE2 4RY, UNITED KINGDOM
info@exergi.co.uk

Technical Specifications

4W GU10 Wide Flood HyperBright™ LED

XG4WW-F



INTENSITY DATA

(degrees, cd)

A (°)	I (cd)	A	I	A	I	A	I	A	I	A	I
-90.0	0.5121	-58.5	3.600	-27.0	29.61	4.5	562.8	36.0	9.023	67.5	2.662
-88.5	0.6153	-57.0	3.823	-25.5	40.10	6.0	541.3	37.5	8.369	69.0	2.560
-87.0	0.9233	-55.5	4.199	-24.0	54.77	7.5	510.4	39.0	7.922	70.5	2.458
-85.5	1.128	-54.0	4.524	-22.5	75.45	9.0	469.4	40.5	7.511	72.0	2.374
-84.0	1.436	-52.5	4.832	-21.0	103.2	10.5	418.7	42.0	7.306	73.5	2.271
-82.5	1.642	-51.0	5.160	-19.5	137.2	12.0	361.9	43.5	6.998	75.0	2.168
-81.0	1.848	-49.5	5.551	-18.0	176.5	13.5	301.8	45.0	6.587	76.5	2.048
-79.5	2.048	-48.0	5.940	-16.5	221.1	15.0	242.7	46.5	6.209	78.0	1.945
-78.0	2.150	-46.5	6.269	-15.0	270.7	16.5	189.2	48.0	5.869	79.5	1.756
-76.5	2.260	-45.0	6.475	-13.5	322.3	18.0	144.4	49.5	5.458	81.0	1.550
-75.0	2.363	-43.5	6.783	-12.0	373.0	19.5	107.7	51.0	5.048	82.5	1.345
-73.5	2.466	-42.0	6.988	-10.5	421.8	21.0	79.18	52.5	4.638	84.0	1.139
-72.0	2.560	-40.5	7.297	-9.0	466.3	22.5	58.20	54.0	4.329	85.5	0.9341
-70.5	2.662	-39.0	7.733	-7.5	503.6	24.0	43.13	55.5	3.994	87.0	0.7169
-69.0	2.673	-37.5	8.274	-6.0	532.7	25.5	32.22	57.0	3.713	88.5	0.5229
-67.5	2.765	-36.0	9.095	-4.5	555.3	27.0	24.38	58.5	3.405	90.0	0.4097
-66.0	2.867	-34.5	10.25	-3.0	571.8	28.5	19.05	60.0	3.277		
-64.5	2.880	-33.0	11.85	-1.5	581.8	30.0	15.52	61.5	3.072		
-63.0	3.072	-31.5	14.19	0.0	586.2	31.5	12.97	63.0	2.970		
-61.5	3.189	-30.0	17.40	1.5	584.9	33.0	11.15	64.5	2.788		
-60.0	3.395	-28.5	22.31	3.0	577.2	34.5	9.883	66.0	2.765		

ELECTRICAL PARAMETERS

Current (I)	0.0290 A
Voltage (V)	221.5 V
Power	3.890W
Power Factor	0.594

OPTICAL PARAMETERS

Diffuse Angle	@ 25%	37.0°
	@ 50%	28.0°
	@ 75%	19.7°
	@ 50%	28.0°
I_{Max}	586.6 cd	
$c_0 - c_{180}$ Plane I_{Max}	586.6 cd	
$c_0 - c_{180}$ Plane I_0	586.2 cd	

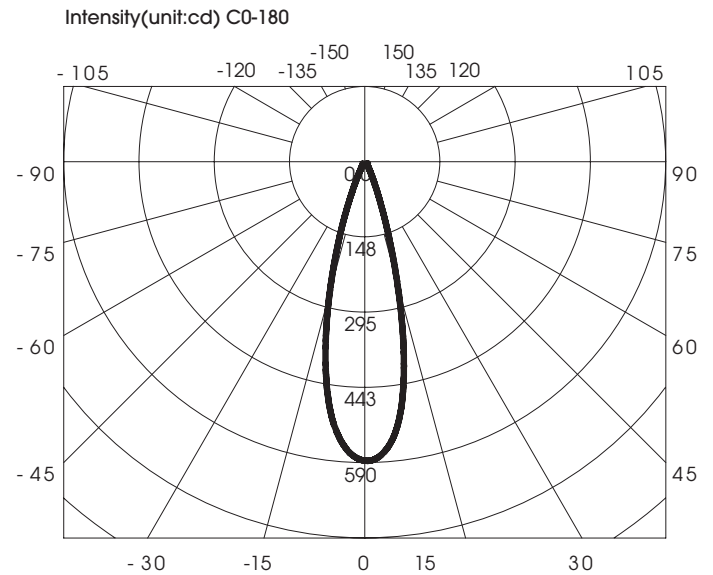
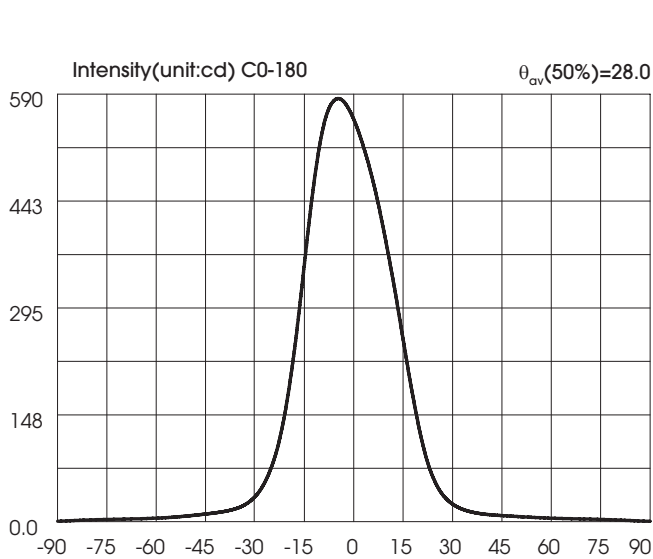
Measured at 3.00m. Humidity 65%. Temperature 25.3°.

www.exergi.co.uk

EXERGI LIMITED, Mulberry House, Foxpond Lane, Oadby, Leicester, LE2 4RY, UNITED KINGDOM
info@exergi.co.uk

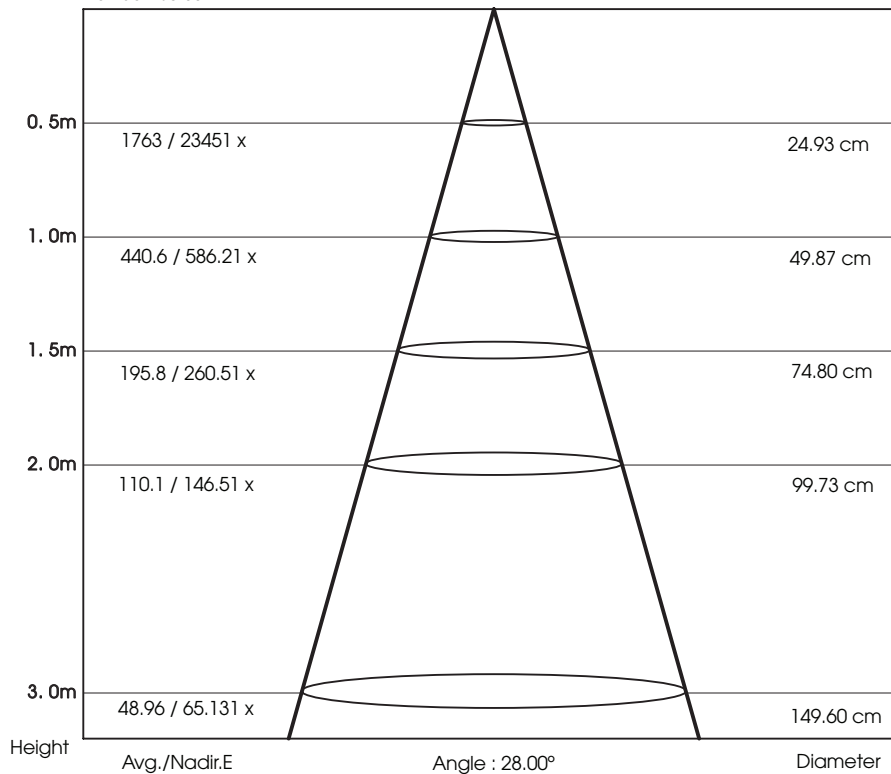
Technical Specifications

4W GU10 Wide Flood HyperBright™ LED XG4WW-F



AVERAGE ILLUMINANCE

Flux out: 86.06 lm



www.exergi.co.uk